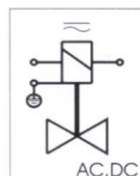
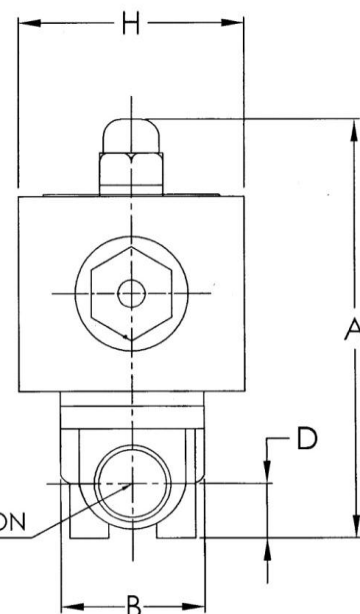
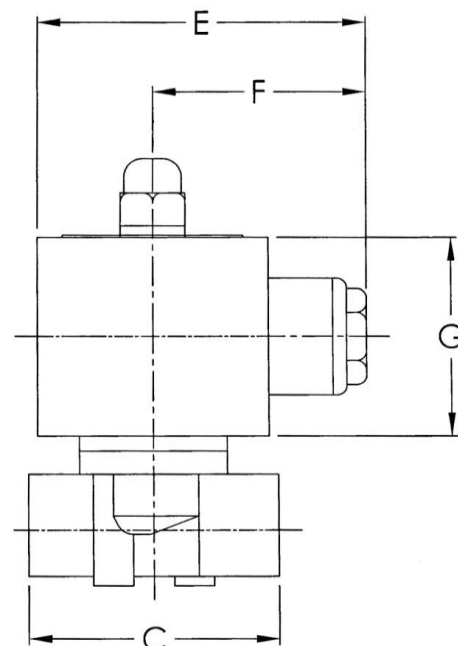


Direct Acting Type, 2/2 Way, General Service, Normally Closed



DIMENSION



Application:

Air, water, gas, light oil, vacuum, etc.

Specification:

Body	:	Brass
Sealing	:	NBR
Pressure (M.O.P.D)	:	0~ 5bar (water, liquid) 0~ 7bar (air, gas)
Enclose	:	Lead wire IP54 ; option : DIN coil IP65
Fluid temperature	:	5 ~ 80 °C
Ambient temperature	:	50°C
Voltage	:	AC110, 240V, 50Hz DC 24V
Tolerance	:	±10% (AC), ±5% (DC)

Feature:

- Can be installed in any position but the level condition to keep coil upside best for long life.
- Small volume, simple construction and easy to assemble.
- Coil is design to turn in free direction.

Unsuitable Fluid:

- Viscosity over 50 CST.
- Liquid when be heating, solid when cool.
- Do not use at corrosive fluid.

Caution:

- Please clean up the inside of pipes before fitted.
- A strainer or filter has to be installed one meter away from the solenoid valve.

MODEL	CONNECTION	CV VALUE	ORIFFICE (MM)	DIMENSION							
				A	B	C	D	E	F	G	H
AW-06	1/4"	0.23	2.5	79.0	29.6	40.0	11.0			35.7	42.6
AW-10	3/8"	0.57	5.0	89.0	31.8	54.0	12.9	71.3	46.5	42.5	50.0

* Data subject to alteration