

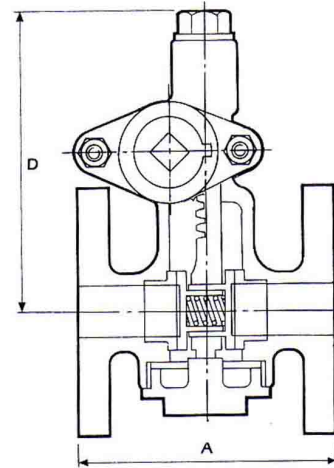
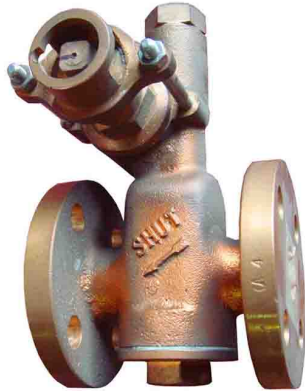


UNIMECH GROUP, MALAYSIA



A MEMBER OF UNIMECH GROUP, MALAYSIA

PARALLEL SLIDE BLOW DOWN VALVE FLANGED END



Technical Description of Standard Valves :

Cast Bronze Body and Cover.

Valve operated through a half of a removable box key.

Flanged to ANSI, BS, or Continental Standards.

Technical Data

Pressure Temperature Rating

Temperature °C	Working Pressure Bar
-10 ~ 120	40.0
150	38.5
170	35.5
180	34.0
186	32.8
198	30.4
200	30.0
220	25.5
250	19.5
260	17.5

Material

No	PART	MATERIAL
1	BODY	BRONZE
2	COVER	BRONZE
3	SEATS	NICKEL ALLOY
4	DISC	NICKEL ALLOY
5	STEM	BRONZE
6	PINION	MANG BR
7	LOCKING GLAND	BRONZE

Dimension in mm

Size	DN	A	D	Wt. (kg)
1"	25	105	127	4
1.1/2"	40	194	203	16
2"	50	216	229	25

The contents of this literature are for informative purposes only. Arita is not responsible for suitability or compatibility of these products in relation to system requirement. For specific requirements, consult Arita or its distributors. Arita reserves the right to change or modify product design without prior notice.

Our Ref. : ARBDV- 09/21