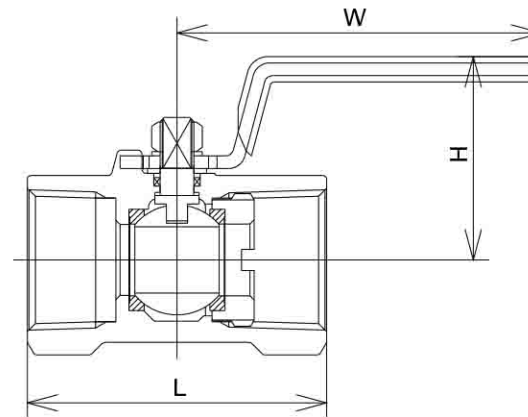


Product Code **MB2**

General-purpose 10K

Mini Ball Valve for General Use Lever Handle, 2-stage Reduced Bore

Product Name	Material	Remarks
Body	FCMB340	Hot dip galvanizing Electro galvanizing
Ball	C3604	Ni-Cr plating
Stem	C3604	Ni-Cr plating
Seat ring	Reinforced PTFE	
Gland Packing	Reinforced PTFE	
Handle	SUS430	PVC coating Color: Orange



Nominal diameter (B)	1/4	3/8	1/2	3/4	1	1¼	1½	2
L	43	46.5	54	61	71	82	88.5	105
H	32	40	42	47	50	58	62	69
W	62	72	72	87	87	127	127	127