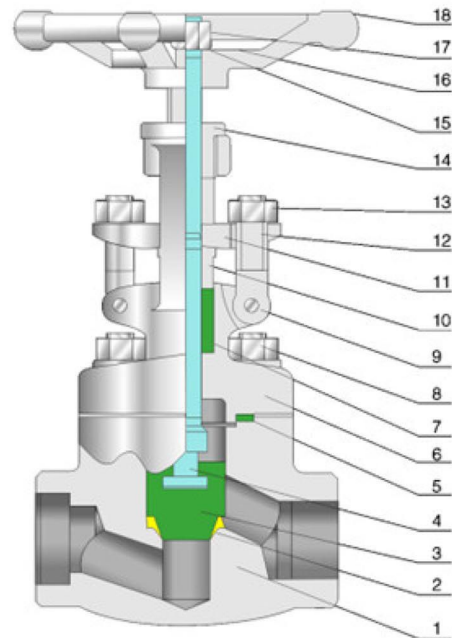
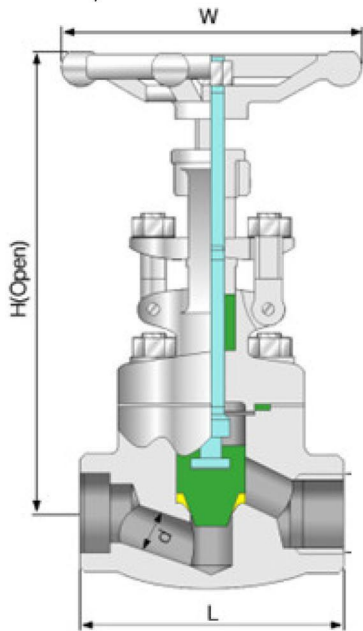


## GLOBE VALVE CLASS 800

Model : ARF-102SE, ARF-102SW



### Features :

- Bolted Bonnet or Welded Bonnet
- Outside Screw & York
- End Connection : NPT or Socket Weld
- Inspection and Test : API598
- Pressure Rating Class 800
- Pressure up to 138 bar
- Temperature up to 425 °C

### Standards :

- Design : API 602 & ANSI B16.34
- Threaded Ends : ASME B1.20.1 (NPT)
- Socket Welding Ends : ASME B16.11

## Technical Data

### Material

No	PART	MATERIAL	
1	BODY	F304	F316
2	SEAT RING	304	
3	DISC	F304+STL	F316+STL
4	STEM	A276-304	A276-316
5	GASKET	316+GRAPHITE	
6	BONNET	F304	F316
7	PACKING	PTFE	
8	BOLT	A193-B8	A193-B8M
9	PIN	A276-304	
10	BUSHING	A276-304	A276-316
11	GLAND	F304	
12	BOLT	A193-B8	A193-B8M
13	NUT	A194-8	
14	NUT	A276-410	
15	GASKET	A108-1020	
16	NAME PLATE	ALUMINIUM	
17	GLAND NUT	A108-1020	
18	HANDWHEEL	A47	

### Dimension in mm

DN	15	20	25	32	40	50
d	11	13	18	23	28.5	33
L	79	92	111	120	152	172
H (open)	166	175	206	228	262	300