



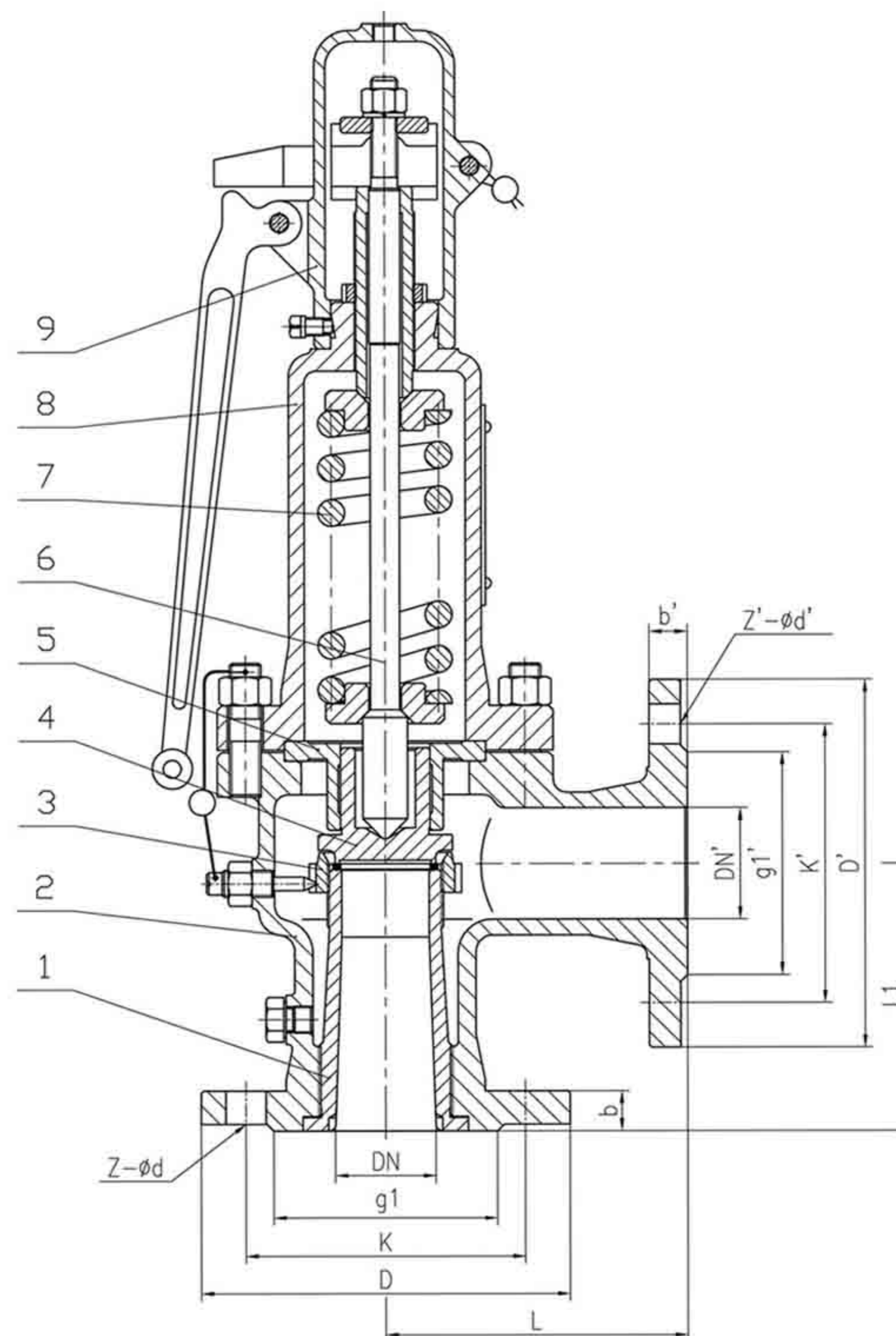
UNIMECH GROUP, MALAYSIA



A MEMBER OF UNIMECH GROUP, MALAYSIA

SAFETY VALVE FLANGED END PN16

Model : ARV-207FE(D)



Specification

Type	With Lever
Working Fluid	Water, Oil, Gas, Steam
Design Standard	DIN 3320
Face to Face Dimension	DIN 3202
Flange Standard	DIN 2543-2545
Test & Inspection	DIN 3230
Shell Test Pressure	2.4 Mpa
Back Seat Test	1.76 Mpa
Working Temperature	-20~350°C

Material

No	PART	MATERIAL
1	NOZZLE	2Cr13
2	BODY	WCB
3	ADJUSTING RING	2Cr13
4	DISC	2Cr13
5	GUIDE	2Cr13
6	STEM	2Cr13
7	SPRING	50CrVA
8	BONNET	WCB
9	CAP	WCB

Dimension in mm

TYPE	Inlet						Outlet							
	Dn	D	K	g1	b	Z-ød	Dn	D	K	g1	b	Z-ød	L	L1
DN25 X DN25	25	115	85	65	15	4-Ø14	25	115	85	65	15	4-Ø14	100	85
DN40 X DN40	40	150	100	85	17	4-Ø18	40	150	100	85	17	4-Ø18	120	110
DN50 X DN50	50	165	125	100	18	4-Ø18	50	165	125	100	18	4-Ø18	135	120
DN65 X DN65	65	185	145	120	18	4-Ø18	65	185	145	120	18	4-Ø18	140	130
DN80 X DN80	80	200	160	135	20	8-Ø18	80	200	160	135	20	8-Ø18	160	135
DN100 X DN100	100	220	180	155	21	8-Ø18	100	220	180	155	21	8-Ø18	170	160
DN125 X DN125	125	250	210	185	22	8-Ø18	125	250	210	185	22	8-Ø18	190	190
DN150 X DN150	150	285	240	210	24	8-Ø23	150	285	240	210	24	8-Ø23	205	195
DN200 X DN200	200	340	295	265	27	12-Ø23	200	340	295	265	27	12-Ø23	240	230

The contents of this literature are for informative purposes only. Arita is not responsible for suitability or compatibility of these products in relation to system requirement. For specific requirements, consult Arita or its distributors. Arita reserves the right to change or modify product design without prior notice.