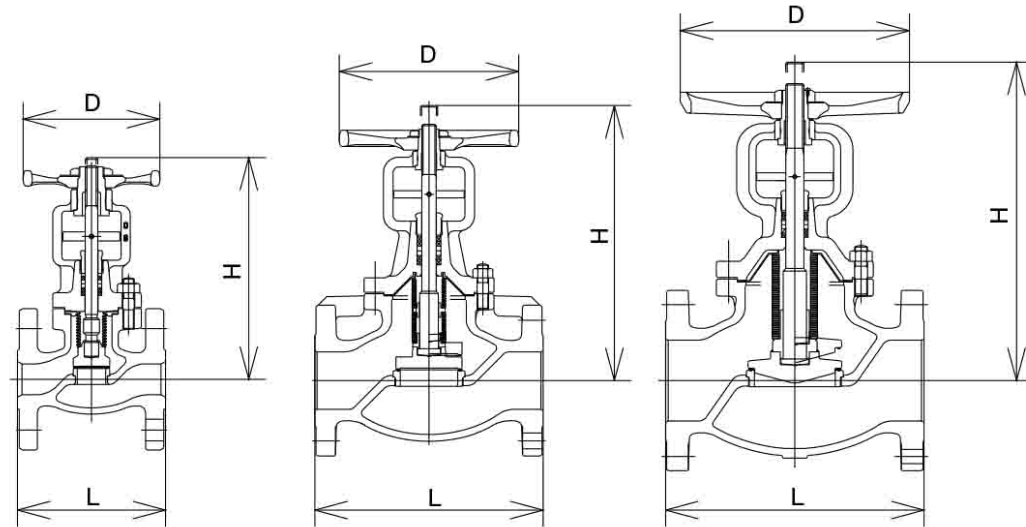


Product Code **M300FGB**

300lb

Bellows Seal Valve Flanged OS and BB type

Product Name	Material	Remarks
Body	FCD-S	
Cover	FCD-S	
Stem	SUS410	
Seat ring	SUS410	Hard facing
Disc	SUS304	Hard facing (Nominal diameter: 2B or less)
	A182-F304	Hard facing (Nominal diameter: 2½-4B)
	SCS1	Hard facing (Nominal diameter: 5B)
Bellows	SUS316L	
Handwheel	FCMB340	Color: Black
Gasket	H1215	
Gland Packing	H350+H2200	



△The glands of the bellows seal valve are maintenance-free, but since the cover bolts may loosen due to vibrations and heat stress, they will need regular maintenance.

Nominal diameter (B)	1/2	3/4	1	1¼	1½	2	2½	3	4	5	6	8	10
L	110	120	130	160	180	230	292	318	356	400	444	559	622
H	181	191	196	208	243	253	309	377	402	491	562	713	869
D	100	100	120	120	160	180	224	250	300	355	400	450	560