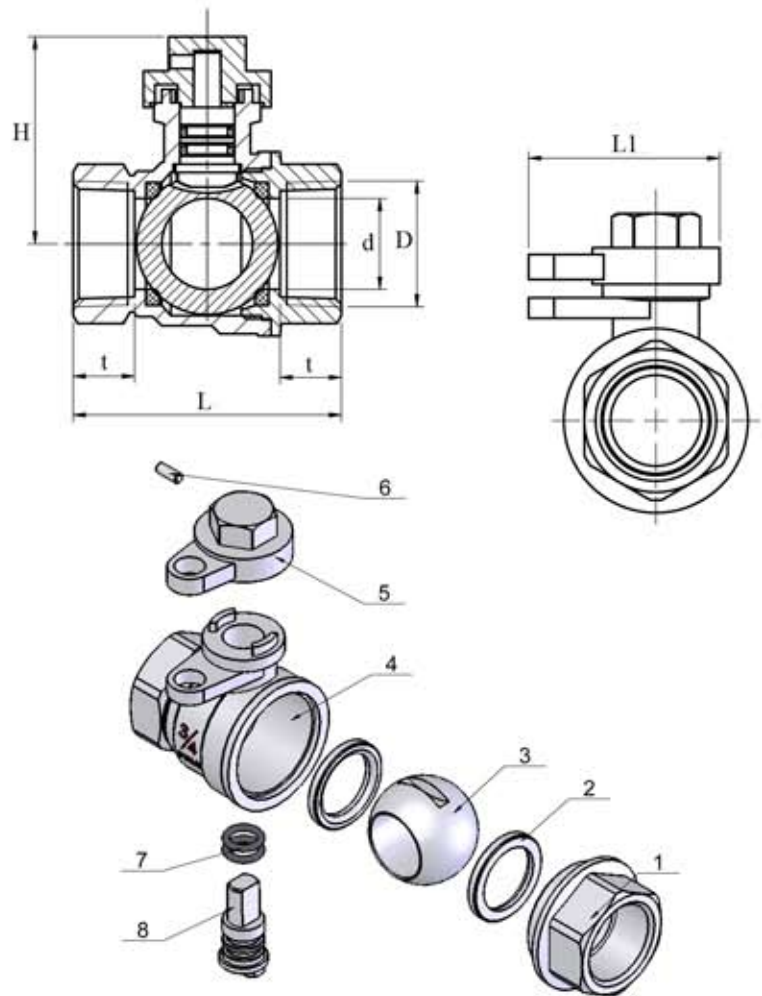


## PN 16 Lockable Ball Valve

**Model:** BRLB-S-PN16



### Materials

NO.	COMPONENT	MATERIAL
1	CAP	BRASS
2	SEAT	PTFE
3	BALL	CHROMED BRASS
4	BODY	BRASS
5	HANDLE	BRASS
6	PIN	STEEL
7	O-RING	NBR
8	STEM	BRASS

**Features :** This kind of ball valve can be used in equipment or pipe system to open or shut the passageway for controlling the flow of medium.

**Application :** Water, Oil & Gas

**Working Temperature :** 120 °C

**Thread :** BSPT (BS 21) or NPT (ANSI B 1.20.1)

### Dimensions

SIZE		d	D	H	L	t	L1	wt (g)
inch	3/4	20	R3/4	45.5	59	13.5	42	354
mm	20							