



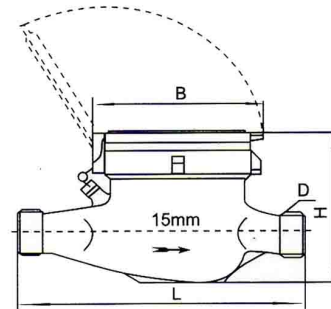
UNIMECH GROUP, MALAYSIA



A MEMBER OF UNIMECH GROUP, MALAYSIA

## MULTI-JET ROTARY VANE WHEEL DRY-DIAL TYPE COLD WATER METER

Model : LXSC-15 ~ 50E



### Product Features :

- Multi-jet, Rotaryvane wheel type.
- Dry-dial, Magnetic drive, Resistance to exterior magnet interference.
- Brass body, cold water meter, remote reading transmission system and anti-theft device.
- Installation : Horizontal position with the register face upwards.

### Specification

<b>Technical Data</b>	ISO 4064 Class B
<b>Water Temperature</b>	0~ ≤40°C
<b>Nominal Pressure</b>	10 Bar
<b>Water Pressure</b>	≤1 Bar
<b>Connection</b>	BSP Thread

### Dimensions (mm)

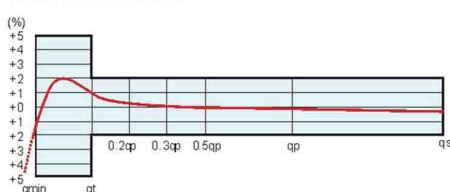
Size	L	B	H	D	Weight (kg)
15	165 / 190	99	104	G3/4B	1.5 / 1.6
20	190 / 195	99	106	G 1B	1.7 / 1.8
25	260 / 225	104	120	G1-1/4B	2.4 / 2.6
32	260 / 230	104	120	G1-1/2B	2.7 / 2.8
40	300 / 245	125	155	G 2B	4.5 / 5.4
50	300	125	155	G2-1/2B	7.2

### Technical Data

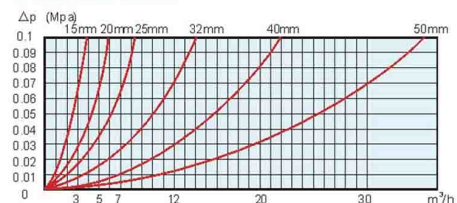
Size (mm)	Class	Qs Overflow Flow	Qp Nominal Flow	Qt Transitional Flow	Qmin Min Flow	Starting Flow	Min. Reading	Max. Reading
		m <sup>3</sup> /h		L/h				
15	B	3	1.5	120	30	14	0.0001	99999
20	B	5	2.5	200	50	16	0.0001	99999
25	B	7	3.5	280	70	19	0.0001	99999
32	B	12	6.0	480	120	25	0.0001	99999
40	B	20	10	800	200	56	0.0001	99999
50	B	30	15	3000	450	70	0.0001	99999

Maximum Permissible Error : In the lower zone from Qmin inclusive up to but excluding Qt is ±5%  
In the upper zone from Qt inclusive up to and including Qs is ±2%

FLOW ERROR CURVE



HEAD LOSS CURVE



The contents of this literature are for informative purposes only. Arita is not responsible for suitability or compatibility of these products in relation to system requirement. For specific requirements, consult Arita or its distributors. Arita reserves the right to change or modify product design without prior notice.