



UNIMECH GROUP, MALAYSIA



A MEMBER OF UNIMECH GROUP, MALAYSIA

DISCO CHECK VALVE

ARV-106WT (U)



The design of Arita Disco Check valves is compact, lighter and more economical. The parts are produced using investment casting which contributes to its high quality finishing and precision. The design allows it to be installed either in horizontal or vertical position. The disco check valves have a wide range of applications like with steam, hot condensate, water, oil and gas.

Dimensions in mm

SIZES		d	D1	D2	D3	L	WT (KG)	OPENING PRESSURE (BAR)
DN	In.							
15	1/2	15	39	28	33	16	0.08	0.1
20	3/4	20	46	35	41	20	0.13	0.1
25	1	25	54	43	48	22	0.17	0.1
32	1 1/4	31	68	52	60	28	0.34	0.1
40	1 1/2	39	78	63	73	32	0.48	0.1
50	2	48	90	75	85	40	0.81	0.1
65	2 1/2	62	111	95	102	46	1.18	0.1
80	3	75	128	108	122	48	1.96	0.1
100	4	85	148	126	139	58	2.93	0.1

Materials

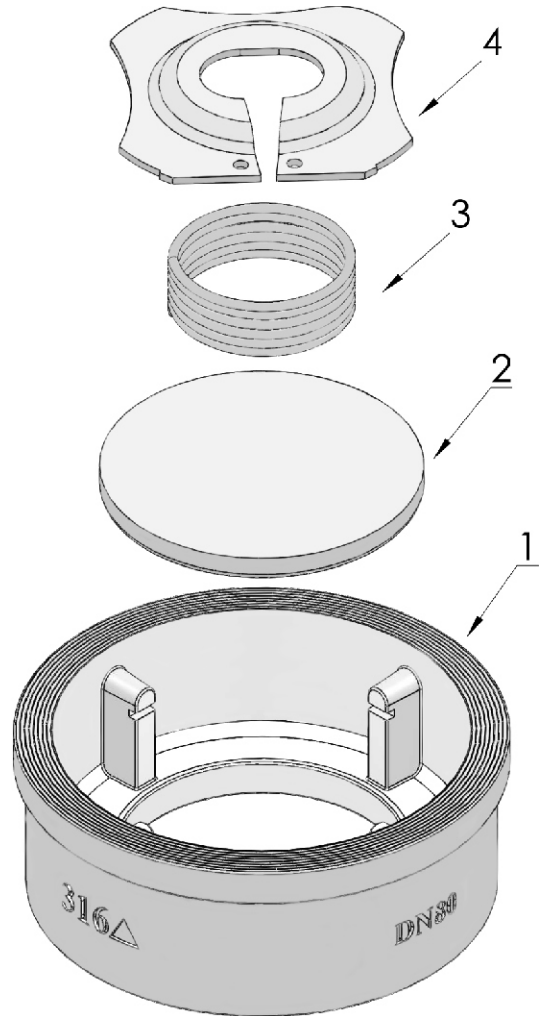
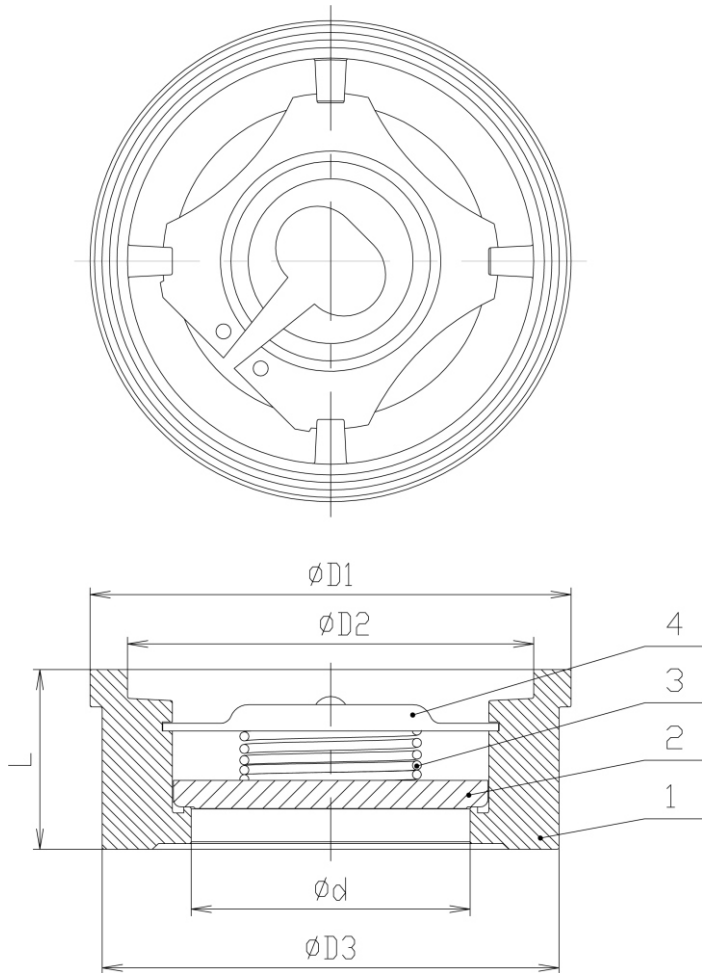
No.	PART	QTY.	MATERIAL
1	BODY	1	SUS 304 / SUS 316 / WCB
2	DISC	1	SUS 304 / SUS 316 / WCB
3	SPRING	1	SUS 304 / SUS 316
4	RETAINER	1	SUS 304 / SUS 316 / WCB

Note : DN15~DN65 SUS 316 only

Optional : PTFE seal on request.

Design Standard:

Face to Face : conforms to DIN 3202-3 K4 (DN15-DN125) and NF E-29-377 (DN150-DN200)



Working Pressure - Temperature

Temperature, °C	-10	0	50	100	150	200	250
Pressure, Bar	40	40	40	34	30	27	25

Note: For optional PTFE seal, if working temperature is above 120°C, reinforced PTFE is recommended.

Pressure Test

Working Pressure	Hydrostatic Test	
	40 kgf/cm ²	Body
	Seat	44 kgf/cm ²

