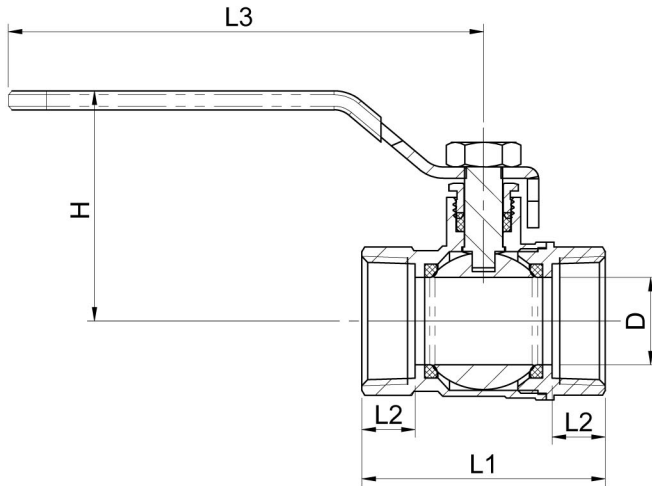


PN40 / CLASS 600 FULL BORE BALL VALVE

ARV-1000SE(Series 600)

DOSH Approval Ref. No. : JKPP MH 127/296/28-71(2)



SPECIFICATIONS

- Forged brass
- Screwed end : BSPT or NPT
- Full bore design
- 2 piece design
- Blow out proof stem
- Lever handle operation
- Applicable temperature : -20 ~ 120 ° C
- Applicable media : W.O.G. and steam

STANDARD COMPONENT MATERIAL

NO	DESCRIPTION	QTY.	MATERIAL
1	Bonnet	1	Brass
2	Ball Seat	2	PTFE
3	Ball	1	Zinc Plated Brass
4	Body	1	Brass
5	Packing Gland	1	PTFE
6	Packing Nut	1	Brass
7	Handle	1	Zinc Plated Steel
8	Spring Washer	1	Steel
9	Nut	1	Zinc Plated Steel
10	Stem	1	Brass

TEST PRESSURE

Nominal Pressure	:	600 Psi (42 Kg/cm ²)
Hydrostatic Shell Test Pressure	:	900 Psi (62 Kg/cm ²)
Hydrostatic Seat Test Pressure	:	660 Psi (46 Kg/cm ²)
Pneumatic Seat Test Pressure	:	90 Psi (6 Kg/cm ²)

DIMENSION TABLE (MM)

DN	Size		D	L1	L2	L3	H	Weight (Kg)
	Inch							
8	1/4		10	42	10.5	89	39	0.127
10	3/8		10	43	11	89	39	0.130
15	1/2		15	54	13.5	98.5	48	0.200
20	3/4		20	63	15.5	98.5	52	0.320
25	1		24.5	72	17.5	125	60.7	0.489
32	1-1/4		30	82	19	140	74.5	0.640
40	1-1/2		40	94	19	140	82.5	0.955
50	2		50	114	23.5	165	92.5	1.640

