

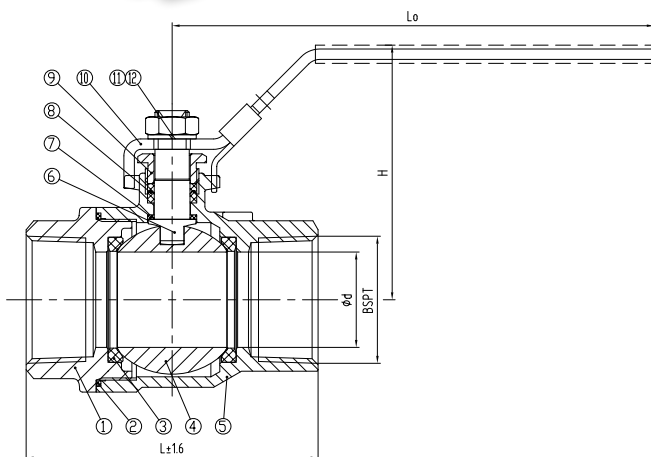
ARITA CARBON STEEL BALL VALVE

FULL PORT 2-PC BODY BALL VALVE 1000 W.O.G. (BSPT)

ARV-300SE-2PC

SPECIFICATIONS

- Screwed end : BSPT (optional NPT)
- Design Standard : ASME B16.34
- Blow out proof design
- Inspection and Test : API 598
- Applicable Media : W.O.G.
- Applicable Temperature : -29 ~ 180 °C



STANDARD COMPONENT MATERIAL

NO	DESCRIPTION	QTY.	MATERIAL
1	Bonnet	1	Carbon Steel (WCB)
2	Gasket	1	RPTFE
3	Seat	2	RPTFE
4	Ball	1	SS 304 / SS 316
5	Body	1	Carbon Steel (WCB)
6	Stem	1	SS 304 / SS 316
7	Stem Washer	1	RPTFE
8	Packing	1	RPTFE
9	Gland	1	Stainless Steel
10	Handle	1	Stainless Steel
11	Spring Washer	1	Stainless Steel
12	Nut	1	Stainless Steel

TEST PRESSURE

Nominal Pressure	:	1000 Psi (6.9 MPa)
Hydrostatic Shell Test Pressure	:	1500 Psi (10.4 MPa)
Hydrostatic Seat Test Pressure	:	1100 Psi (7.6 MPa)
Gas Seat Test Pressure	:	90 Psi (0.6 MPa)

DIMENSION TABLE (MM)

Size		L	d	BSPT	Lo	H	Weight (Kg)
DN	Inch						
8	1/4	55	10	1/4	95	47	0.24
10	3/8	60	10	3/8	95	47	0.23
15	1/2	63	15	1/2	105	54	0.30
20	3/4	73	19.5	3/4	120	65.5	0.52
25	1	84	25	1	140	72	0.76
32	1-1/4	98	32	1-1/4	150	81	1.16
40	1-1/2	105.5	38	1-1/2	170	96	1.58
50	2	120.5	49	2	185	105	2.35
65	2-1/2	152	64	2-1/2	220	118	3.72
80	3	170.5	77	3	270	134.5	5.77
100	4	204	99	4	330	167	9.45