



A MEMBER OF UNIMECH GROUP, MALAYSIA

WAFER TYPE BUTTERFLY VALVE ARITA SERIES PIN JIS 5K FLANGED



Body Material : CAST IRON
 Disc Material : CF8M
 Seat Material : EPDM
 Stem Material : SUS 416

Optional

Body Material : DUCTILE IRON
 Disc Material : ALUMINIUM BRONZE / CF8 /
 : POLISHED / DUCTILE IRON
 : NICKEL PLATED
 Seat Material : NBR / VITON / SILICONE /
 : PTFE LINED EPDM
 : PTFE LINED NBR
 : PTFE LINED VITON
 Stem Material : SUS 316 / SUS 431

The Arita Series body neck with octagon shape design offers esthetic appearance, strength and compatible flange connection to international standards. Its top flange is designed to ISO5211 for the direct mounting of gear operator or actuators which eliminate the cost of mounting bracket. The one piece design body provides outstanding protection against particle entrapment and bacterial growth. The body is epoxy coated for better resistant against abrasion and corrosion. ARITA offers various materials for the valves seat and disc to meet the various requirements of customers. The fine finishing of seat surfaces and the polished edge of disc give good sealing and reduction in operating torque.

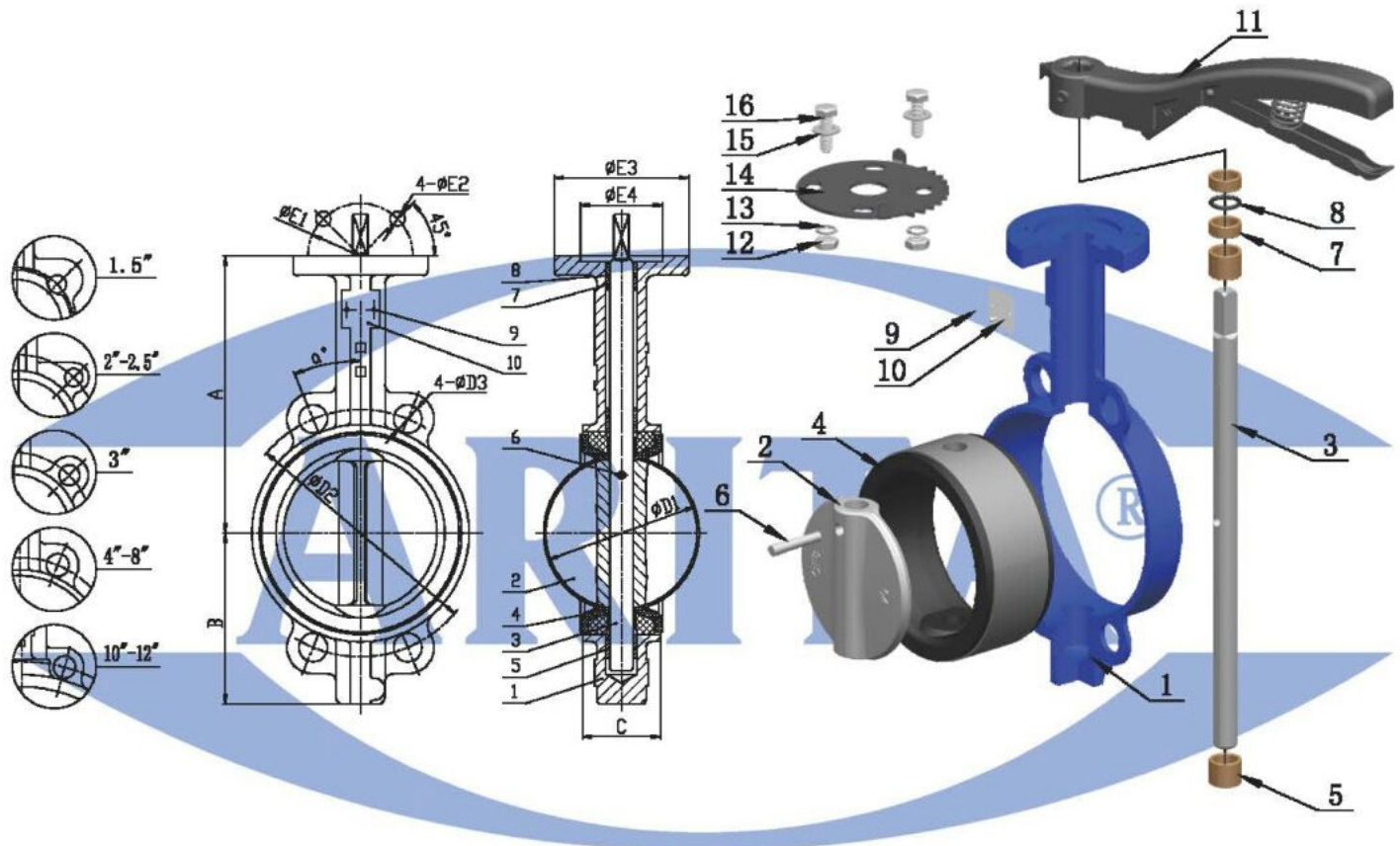


Dimensions in mm (JIS 5K)

Technical Data

SIZES		A	B	C	ØD1	ØD2	ØD3	a°	ØE1	ØE2	ØE3	ØE4	TORQUE (Nm)	Cv	WT. (KG)
40	1 1/2	136	69	32.0	42.6	95	15	45.00	50	7	65	35	11	18	1.4
50	2	156	80	42.0	52.9	105	15	45.00	50	7	65	35	12	29	1.8
65	2 1/2	162	89	44.7	64.5	130	15	45.00	50	7	65	35	13	53	2.3
80	3	170	95	45.2	78.8	145	19	45.00	50	7	65	35	19	82	2.7
100	4	185	114	52.1	104.3	165	19	22.50	70	10	90	55	32	129	3.7
125	5	207	127	54.4	123.3	200	19	22.50	70	10	90	55	51	210	5.4
150	6	216	139	55.8	156.0	230	19	22.50	70	10	90	55	82	304	6.7
200	8	256	175	60.6	202.5	280	23	22.50	102	12	125	70	152	537	11.4
250	10	248	203	65.6	250.8	345	23	15.00	102	12	125	70	245	782	18.6
300	12	280	242	76.9	301.6	390	23	15.00	102	12	125	70	382	1161	24.9

Note: Cv = US Gallon per minutes



Material

No.	PART	QTY.	MATERIAL
1	BODY	1	CAST IRON / DUCTILE IRON
2	DISC	1	DUCTILE IRON / COATING NYLON / PTFE / NICKEL C95400 / C95500 / C95800 / CF8 / CF8M / POLISHED
3	STEM	1	SUS 416 / SUS 316 / SUS 431
4	SEAT	1	NBR / EPDM / VITON / SILICONE
5	BUSHING	2	PTFE
6	PIN	1~2	SUS 416 / SUS 316
7	BUSHING	2	PTFE
8	O'RING	1	NBR / EPDM / VITON
9	RIVET	2	ALUMINIUM
10	NAMEPLATE	1	ALUMINIUM
11	LOCKABLE HANDLE	1	STAMPING W/EPOXY COATING
12	HEX NUT	2	CARBON STEEL / SUS 304
13	SPRING WASHER	2	SPRING STEEL / SUS 304
14	INDICATOR	1	STAMPING W/EPOXY COATING
15	WASHER	2	CARBON STEEL / SUS 304
16	HEX BOLT	2	CARBON STEEL / SUS 304

HYDROSTATIC TEST

Working Pressure	5K
Seal / Mpa (Kgf/cm ²)	0.8 (8)
Body / Mpa (Kgf/cm ²)	1.1 (11)

WORKING TEMPERATURE

Seat Material	Temperature °C
NBR	-20 ~ 80
EPDM	-15 ~ 140
VITON	-20 ~ 150
SILICONE	-50 ~ 200

DESIGN STANDARD

Design Standard	BS EN593
Face to Face	BS EN558-1 / ISO 5752 / JIS B2002
Flange Connection	JIS B2210 5K
Top Flange	ISO 5211
Test Standard	BS EN12266-1 / ISO 5208



The contents of this literature are for informative purposes only. ARITA is not responsible for suitability or compatibility of these products in relation to system requirement. For specific requirements, consult Arita Valve Tianjin or their local distributors. ARITA reserves the right to change or modify product design without prior notice.

©2015 Arita Valve ARITA SERIES (J)