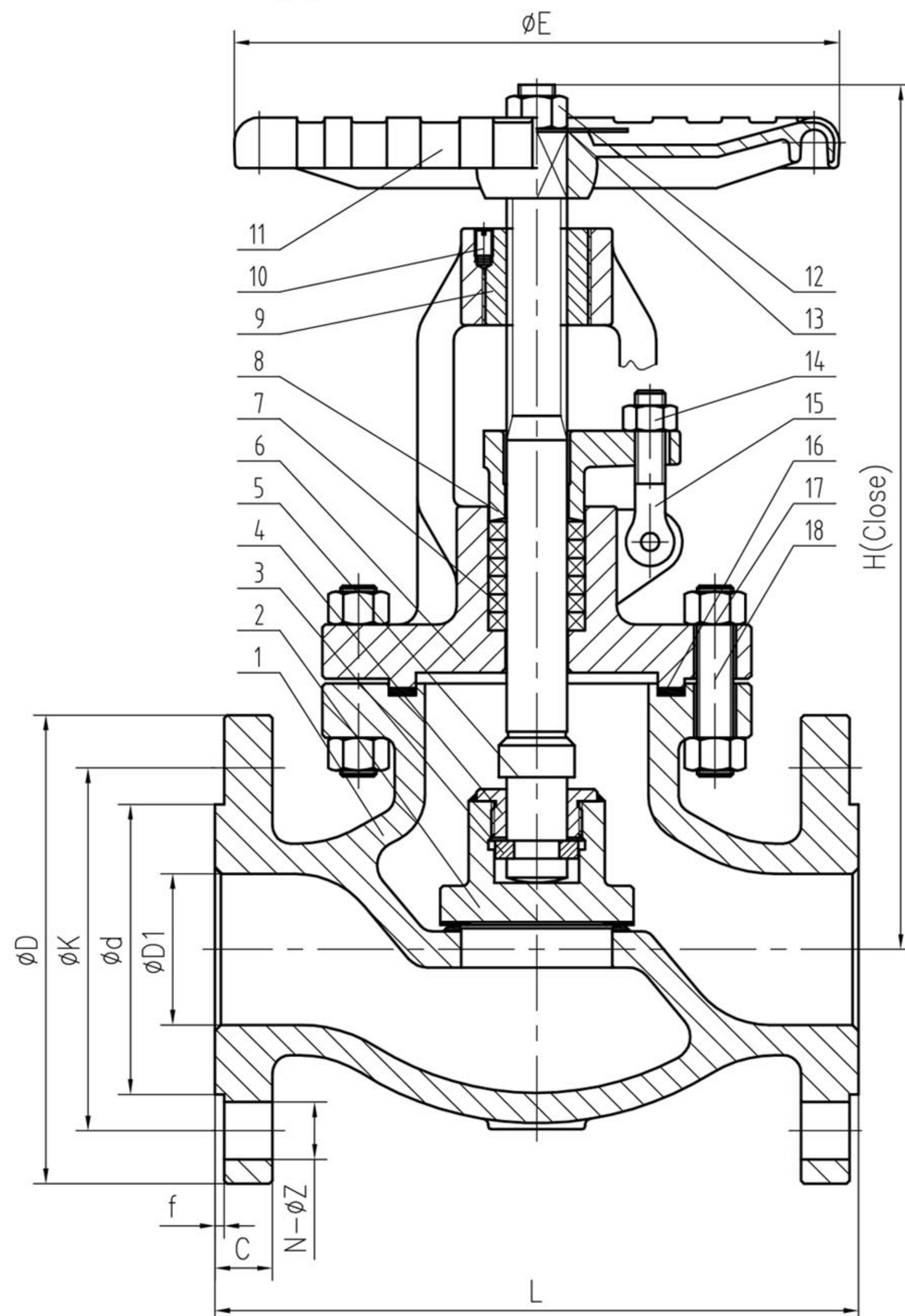


## GLOBE VALVE FLANGED END ANSI 300

Model : ARV-202FE(A)



### Features :

Flanged End to ANSI 300

Design Rating : BS1873

Face to Face : ASME B16.10

Inspection & Testing : API598

### Material

No	PART	MATERIAL
1	BODY	WCB+STL6
2	DISC	A105+13Cr
3	HALF RING	1045
4	DISC COVER	1045
5	STEM	F6a
6	BONNET	WCB
7	PACKING	GRAPHITE
8	GLAND	WCB
9	STEM NUT	D2
10	SCREW	B7
11	HANDWHEEL	CAST IRON
12	NUT	2H
13	NAMEPLATE	AL
14	NUT	2H
15	SCREW	B7
16	GASKET	304+GRAPHITE
17	NUT	2H
18	SCREW	B7

Nominal Pressure		CL 300
Test Pressure	Shell Test Pressure	7.5 Mpa
	Back Seal Test	5.5 Mpa
	Seal Test	5.5 Mpa
	Gas Seal Test	0.6 Mpa
Suitable Temperature		-29 ~425 °C
Suitable Medium		Water, Gas, Oil

### Dimension in mm

NPS	D1	d	K	D	f	C	N-ØZ	L	E	H
2"	50	92.1	127.0	165	2	22.7	8-19	267	200	312
2.1/2"	65	104.8	149.2	190	2	25.9	8-22	292	220	331
3"	80	127.0	168.3	210	2	29.0	8-22	318	260	389
4"	100	157.2	200.0	255	2	32.2	8-22	356	300	418
5"	125	185.7	235.0	280	2	35.4	8-22	400	350	475
6"	150	215.9	269.9	320	2	37.0	12-22	444	400	517
8"	200	269.9	330.2	380	2	41.7	12-25	559	500	632
10"	250	323.8	387.4	445	2	48.1	16-29	622	600	1020
12"	300	381.0	450.8	520	2	51.3	16-32	711	650	1150

The contents of this literature are for informative purposes only. Arita is not responsible for suitability or compatibility of these products in relation to system requirement. For specific requirements, consult Arita or its distributors. Arita reserves the right to change or modify product design without prior notice.