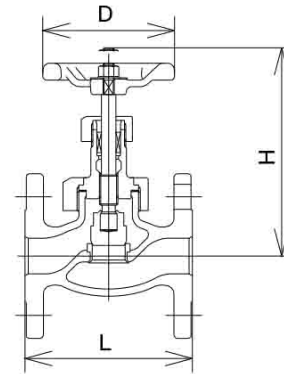


Product Code **M150FG**

150lb

Globe Flanged

Product Name	Material	Remarks
Body	FCD-S	
Cover	FCD-S	
Stem	SUS403	
Disc	SUS403	
Seat ring	SUS403	
Handwheel	FCMB340	Color: Blue
Gasket	H1215	
Gland Packing	H350+H2200	



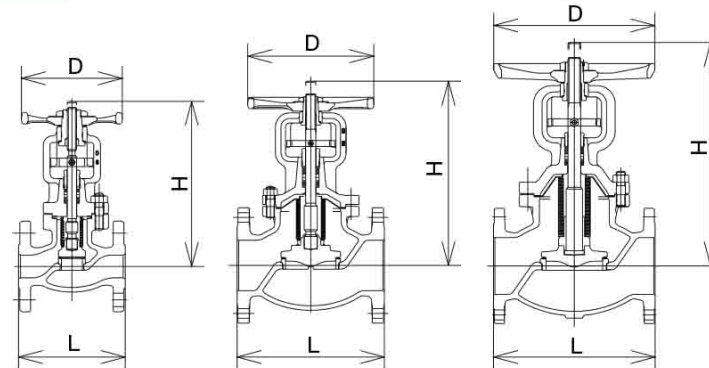
Nominal diameter (B)	1/2	3/4	1	1¼	1½	2
L	108	117	127	140	165	203
H	130	135	155	175	190	215
D	80	80	100	120	120	140

Product Code **M150FGO**

150lb

Globe Flanged OS and BB type

Product Name	Material	Remarks
Body	FCD-S	
Cover	FCD-S	
Stem	SUS403	
Disc	SUS403	Nominal diameter: 2B-6B
	S28C	13Cr stainless deposit / Nominal diameter: 8B-10B
Seat ring	SUS403	Nominal diameter: 2B-6B
	S28C	Hard facing / Nominal diameter: 8-10B
Handwheel	FCD450	Color: Blue
Gasket	H1215	
Gland Packing	H350+H2200	



Nominal diameter (B)	2	2½	3	4	5	6	8	10
L	203	216	241	292	356	406	495	622
H	295	325	355	390	435	505	595	690
D	224	224	250	300	315	355	400	450