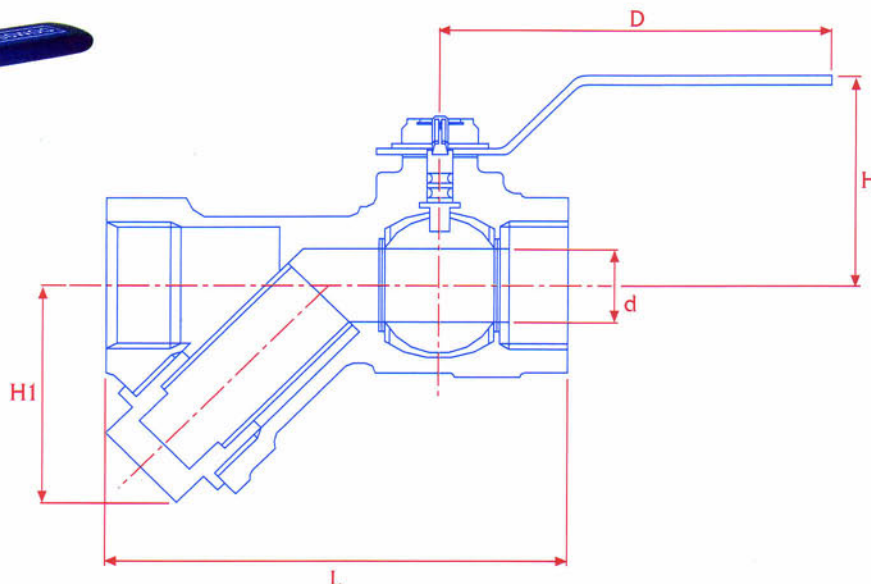
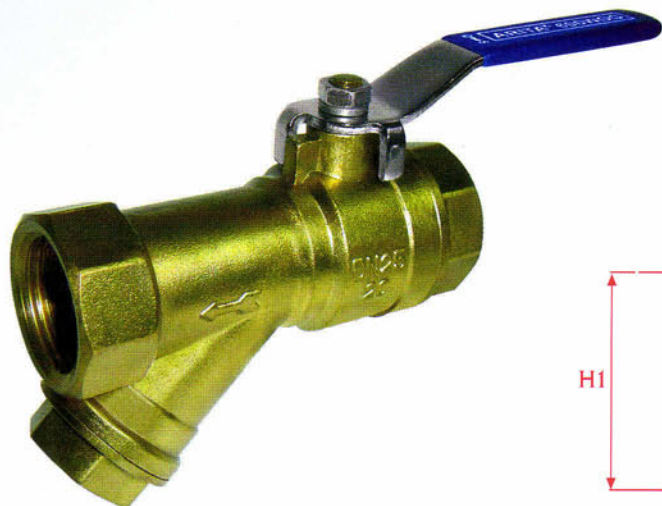




PN20 / Class 300 Full Bore Brass Ball Valve c/w Y-Strainer

Model: BRB-A3



Materials

| Parts | Q'TY | Materials |
|-------------------------|------|---------------------------------|
| Body (Strainer & Valve) | 1 | Forged Brass |
| Valve Cap | 1 | Forged Brass |
| Strainer Cap | 1 | Forged Brass |
| Stem | 1 | Brass Rod |
| Ball | 1 | Chromed Forged Brass |
| Handle | 1 | Chromed Carbon Steel |
| Handle Nut | 1 | Carbon Steel |
| Washer | 1 | Carbon Steel |
| Ball Seat | 2 | PTFE |
| Strainer Cap Seat | 1 | PTFE |
| Screen | 1 | Type 304 Stainless Steel |
| O-ring (Stem) | 2 | Synthetic Rubber / PTFE / VITON |

Features

| |
|--|
| Threaded ends to BSPT (BS21) or NPT (ANSI B1.20.1) |
| Face-to-Face or End-to-End: ARITA Standard |
| Wall thickness: ARITA Standard |
| Working Pressure: 20 kgf/cm ² (300 psi) |
| Application: Water & Gas Oil & Steam (available upon special request) |

| | |
|-------------------------------|------------------------------------|
| Hydrostatic shell test | 3.14 MPa (32 kgf/cm ²) |
| Hydrostatic seat test | 2.16 MPa (22 kgf/cm ²) |
| Pneumatic seat test | 0.59 MPa (6 kgf/cm ²) |

Dimensions

mm

| SIZE | inch | 1/2 | 3/4 | 1 |
|-----------|------|------|------|-------|
| | mm | 15 | 20 | 25 |
| L | | 76.4 | 91.4 | 115.5 |
| H | | 39.0 | 45.0 | 48.0 |
| H1 | | 40.0 | 48.0 | 58.2 |
| D | | 98.0 | 98.0 | 111.0 |
| d | | 15.1 | 19.0 | 25.1 |