

Union
Model : A010



Service intended

It is used for adapting size of the pressure tap which is different with the size of the pressure instrument thread.



ACCESSORIES FOR PRESSURE GAUGE

Ordering information

BASE MODEL - 1st thru 4th characters
A010 : UNION

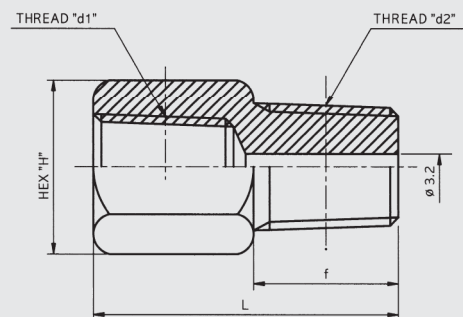
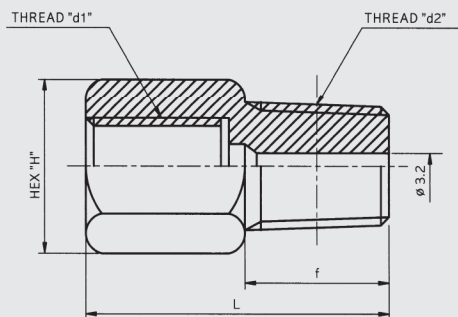
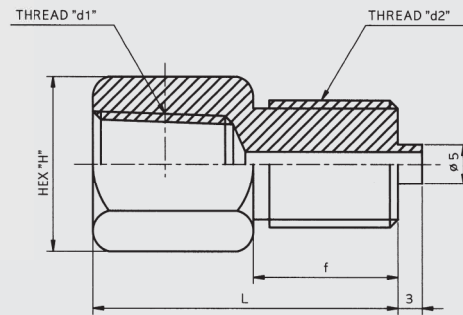
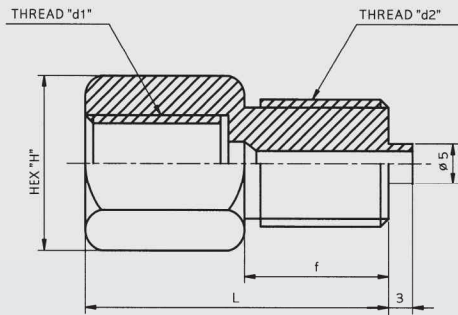
5th Character		6th Character		7th Character		8th Character	
Code	Unused Character	Code	Material	Code	Gauge Connection Size	Code	Gauge Connection Type
A		A	Brass	0	1/4"	A	PF(F)
		C	304SS	1	3/8"	B	PT(F)
		D	316SS	2	1/2"	C	NPT(F)
		F	316LSS	3	1/8"	D	UNF
		G	304LSS	4	7/16"	E	NPT(M)
		V	PVC	5	3/4"		
		Z	Other	9	Other	Z	Other

9th Character		10th Character		11th thru 15th Character	
Code	Process Connection Size	Code	Process Connection Size	Code	Unused Character
A	1/8"	G	PF(M)	A0000	With Vent Cock Plug
B	1/4"	H	PT(M)	B0000	
C	3/8"	J	NPT(M)		
D	1/2"	K	UNF		
E	3/4"	N	S.W		
F	1"	C	NPT(F)		
G	7/16"				
Z	Other	Z	Other		

A010AC1BDHA0000 SAMPLE ORDERING NUMBER

A010 : Union

ACCESSORIES FOR PRESSURE GAUGE



* L : MAKER STANDARD

d1				d2			
	PF		1/4		PF		1/4
	PT		3/8		PT		3/8
	NPT		1/2		NPT		1/2
			3/4				3/4
SELECTION :							