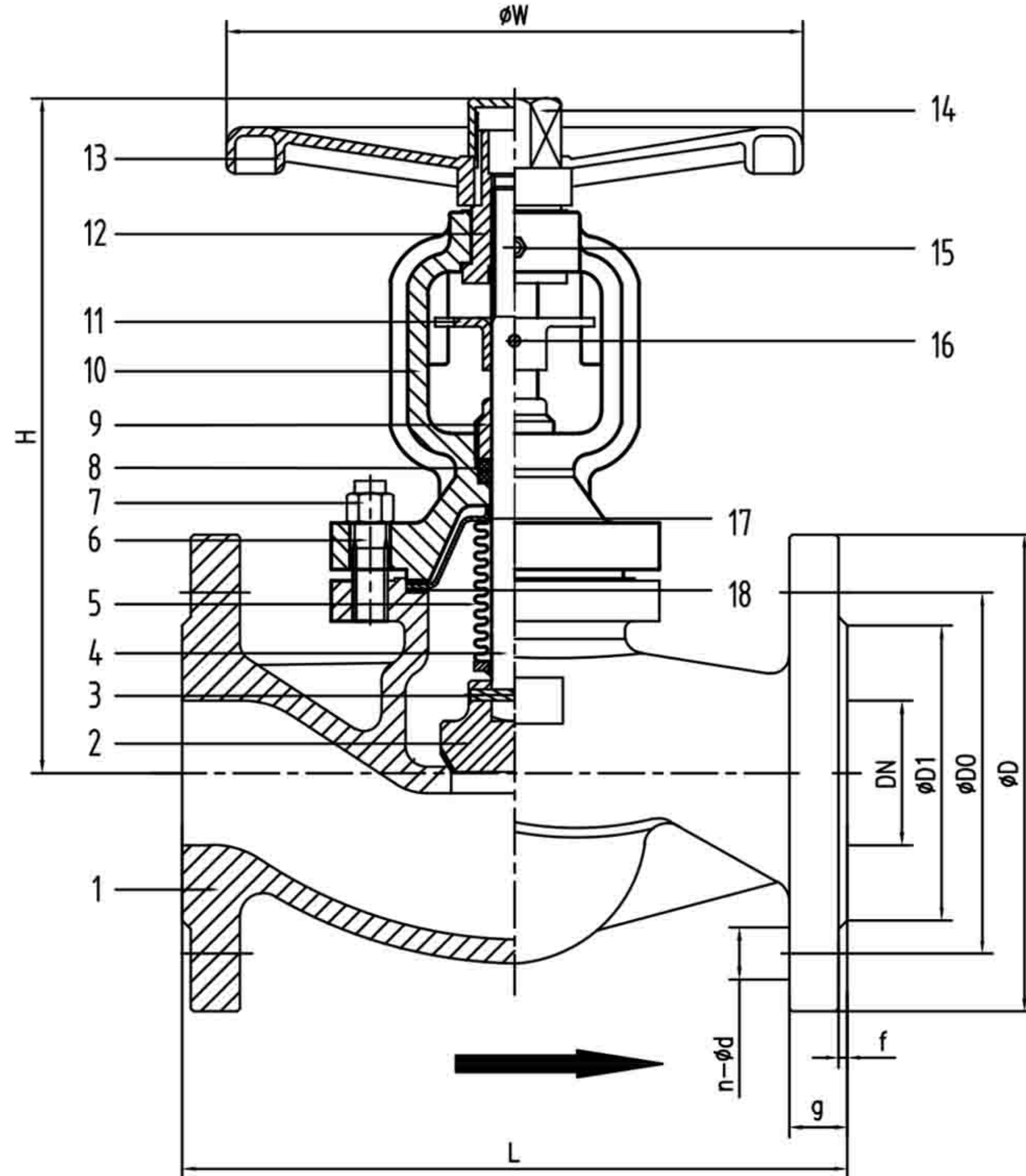


BELLOW SEAL GLOBE VALVE FLANGED END PN 16

Model : ARV-202FE(D)-BS



Technical Specification :

Design : DIN EN 13709:2003

Face to face : DIN EN 558-1:1995

End flange dimension : DIN EN 1092-1:2002

Material

No	PART	MATERIAL
1	BODY	GS-C25+13Cr
2	DISC	A105+13Cr
3	PIN	SS304
4	STEM	2Cr13
5	BELLOW	SS304
6	BOLT	ASTM A193 B7
7	NUT	ASTM A194 2H
8	PACKING	FLEXIBLE GRAPHITE
9	COVER	CARBON STEEL
10	BONNET	GS-C25
11	STOP	CARBON STEEL
12	STEM NUT	H62
13	HANDWHEEL	CARBON STEEL
14	NUT	CARBON STEEL
15	OIL CUP	ASSEMBLAGE
16	PIN	GS-C25
17	END FITTING	GS-C25
18	GASKET	FLEXIBLE GRAPHITE+304

Performance Specification:

Nominal Pressure	PN 16
Seal Test	1.76 Mpa
Working Temperature	-29 ~ 425 °C
Suitable Medium	Water, Oil, Gas

Dimension in mm

NPS	DN	L	D	D0	D1	g	f	n-Ød	H	W
1/2"	15	130	95	65	45	16	2	4-Ø14	200	140
3/4"	20	150	105	75	58	18	2	4-Ø14	200	140
1"	25	160	115	85	68	18	2	4-Ø14	215	160
1.1/4"	32	180	140	100	78	18	2	4-Ø18	215	180
1.1/2"	40	200	150	110	88	18	3	4-Ø18	230	180
2"	50	230	165	125	102	18	3	4-Ø18	230	200
2.1/2"	65	290	185	145	122	18	3	4-Ø18	280	200
3"	80	310	200	160	138	20	3	8-Ø18	280	250
4"	100	350	220	180	158	20	3	8-Ø18	370	280
5"	125	400	250	210	188	22	3	8-Ø18	400	300
6"	150	480	285	240	212	22	3	8-Ø22	500	350
8"	200	600	340	295	268	24	3	12-Ø22	630	400
10"	250	730	405	355	320	26	3	12-Ø26	680	450
12"	300	850	460	410	378	28	4	12-Ø26	970	500